

HAND SHOWER

ZH021#SA(HM) 1 FN. HANDSHOWER SET

Barcode 8852410901024

Material No. Z234ZH021SAHMXXX18

Selling Point

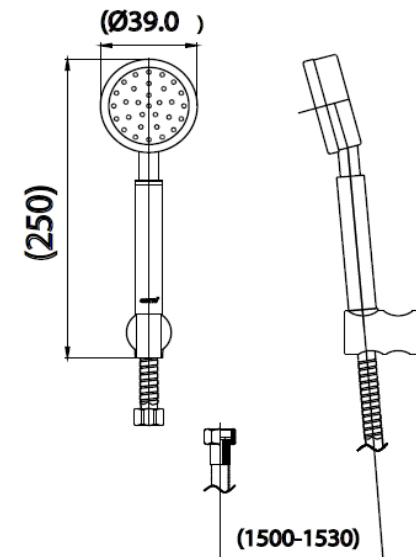
1. Made from High-Quality Stainless SUS304
2. Easy to clean by open front cover of the shower head to wipe off any dirt
3. TIS 2066-2552

Product characteristics

- pices/box : 1
- Inner box weight (Kg.) : 1.0
- Total box weight (Kg.) : 1.0

Recommended Usage

Use With Valve Or Mixture Faucet For Standing Shower Or Bathtub



Siam Sanitary Ware Co.,Ltd. / Siam Sanitary Fittings Co.,Ltd.

36/11 Viphavadee Rangsit Rd, Sanam Bin, Donmuang, Bangkok 10210. Thailand

Tel : + 66 (0) 2973-5040-54

Fax : + 66 (0) 2973-3470

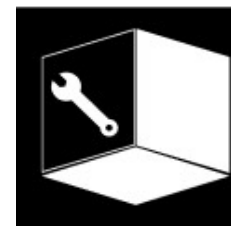
www.cotto.com

COTTO Studio

Tel : + 66 (0) 2973-5040-54

Center (Donmuang ,Bangkok) : +66 (0) 2521-7777

The company reserves the right to change any of the details in the document without prior notice



COTTO
Fixing
Service

Line : @fixingservice