

HAND SHOWER(CT)

Z90V(HM) 3 FN.HAND SHOWER HEAD

Barcode 8852410908726

Material No. Z234Z90VHMXXXXX11

Selling Point

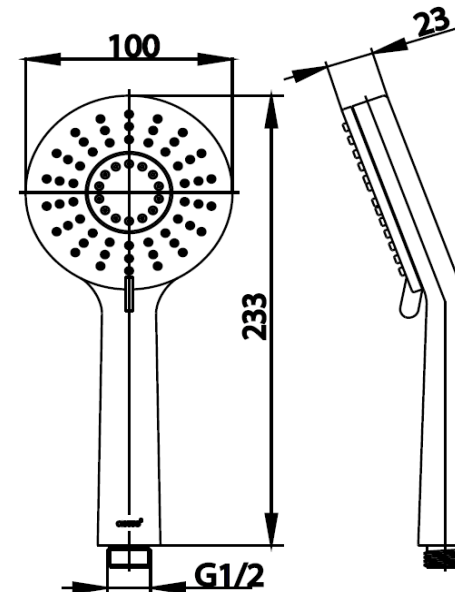
1. Made from High-Quality ABS plastic plated with Nickle-Chromium
2. Save Water, TIS standard and Green Label Certificate

Product characteristics

- pices/box : 12
- Inner box weight (Kg.) : 0.7
- Total box weight (Kg.) : 5.3

Recommended Usage

Use With Flexible Shower Hose



Siam Sanitary Ware Co.,Ltd. / Siam Sanitary Fittings Co.,Ltd.

36/11 Viphavadee Rangsit Rd, Sanam Bin, Donmuang, Bangkok 10210. Thailand

Tel : + 66 (0) 2973-5040-54

Fax : + 66 (0) 2973-3470

www.cotto.co.th

Export Department

Tel : + 66 (0) 2973-5040-54

Fax : + 66 (0) 2973-3472

Center

(Donmuang ,Bangkok) : +66 (0) 2521-7777



The company reserves the right to change any of the details in the document without prior notice