

FIXED SHOWER

Z55(HM) 1 FN. FIXED SHOWER
Barcode 8852410905329
Material No. Z234Z53LCHMXXXXX18

Selling Point

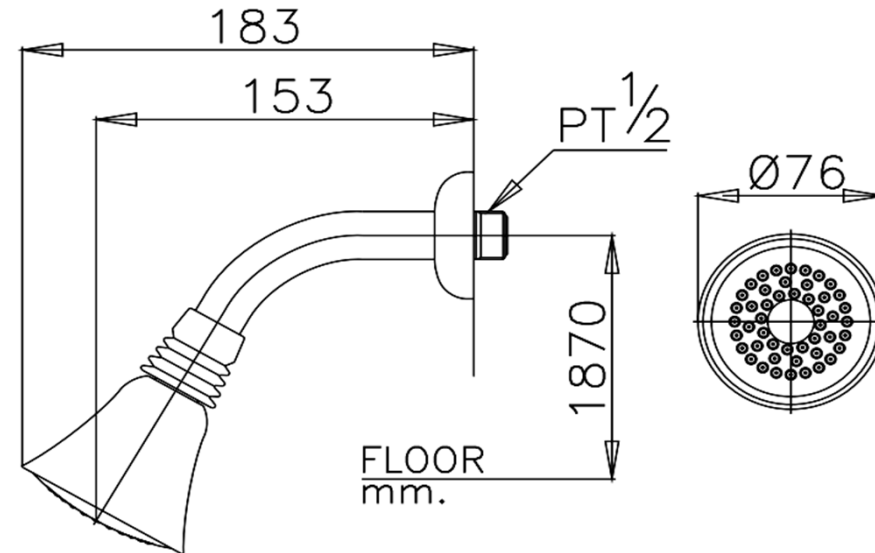
1. Made from High Quality ABS plastic, Plated with Nickel-Chromium
2. Easy clean : easy to clean, just a finger wipe

Product characteristics

- pices/box : 10
- Inner box weight (Kg.) : 0
- Total box weight (Kg.) : 5

Recommended Usage

Use with conceal valve



Siam Sanitary Ware Co.,Ltd. / Siam Sanitary Fittings Co.,Ltd.

36/11 Vipavadee Rangsit Rd, Sanam Bin, Donmuang, Bangkok 10210. Thailand

Tel : + 66 (0) 2973-5040-54

Fax : + 66 (0) 2973-3470

www.cotto.co.th

Export Department

Tel : + 66 (0) 2973-5040-54

Fax : + 66 (0) 2973-3472

COTTO
STUDIO

Center	(Donmuang ,Bangkok)	: +66 (0) 2521-7777
East	(Chonburi)	: +66 (038) 416-222
North	(Chiangmai)	: +66 (053) 211-852
North East	(Khonkean)	: +66 (043) 220-555
South	(Phuket)	: +66 (076) 261-388

The company reserves the right to change any of the details in the document without prior notice