

SHOWER PANEL

CT840N SHOWER PANEL / LEVER HANDLE MIXER STOP VALVE WITH 5 FN. HANDSHOWER SET AND RAIN SHOWER

Barcode 8852410840293

Material No. Z234CT840NXXXXXX18

COTTO

Selling Point

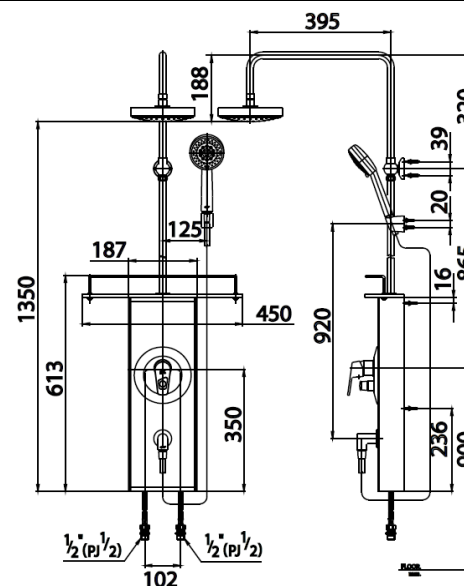
1. Less installation space needed
2. Convenient with complete set from COTTO; including Fixed shower, Hand shower, and Jet Spray
3. TIS Certified Valve, passed metal contamination test

Product characteristics

- pices/box : 1
- Inner box weight (Kg.) : 11
- Total box weight (Kg.) : 11

Recommended Usage

Install on wall for shower



Siam Sanitary Ware Co.,Ltd. / Siam Sanitary Fittings Co.,Ltd.

36/11 Viphavadee Rangsit Rd, Sanam Bin, Donmuang, Bangkok 10210. Thailand

Tel : + 66 (0) 2973-5040-54

Fax : + 66 (0) 2973-3470

www.cotto.co.th

Export Department

Tel : + 66 (0) 2973-5040-54

Fax : + 66 (0) 2973-3472

**COTTO
STUDIO**

Center (Donmuang ,Bangkok) : +66 (0) 2521-7777

East (Chonburi) : +66 (038) 416-222

North (Chiangmai) : +66 (053) 211-852

North East (Khonkean) : +66 (043) 220-555

South (Phuket) : +66 (076) 261-388

The company reserves the right to change any of the details in the document without prior notice