

SAFETY ACCESSORIES (32 mm.)

CT752(HM) HANDRAIL 30 X 30 cm. / V SHAPE,Ø 32 mm.
Barcode 8852410752268
Material No. Z235CT752HMXXXX18

Selling Point

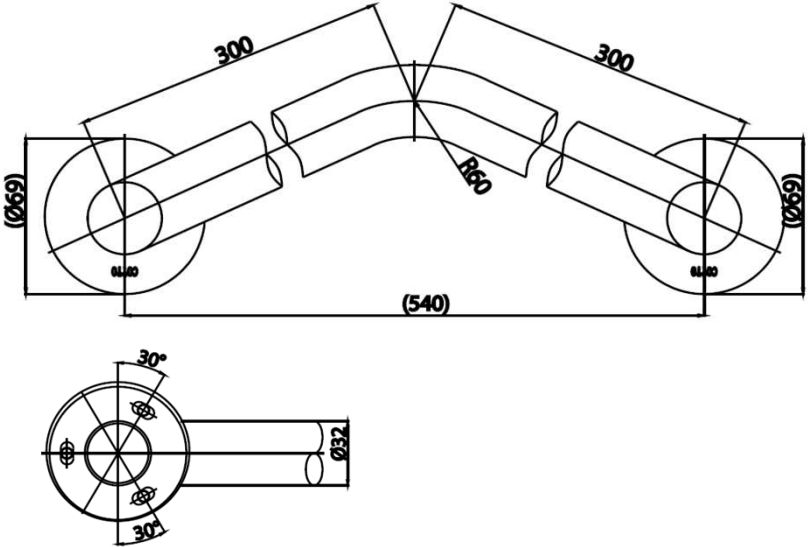
- 1. Made from SUS304 Stainless
- 2. Wall plug can handle up to 120 kgf.
- 3. Shiny surface

Product characteristics

- pices/box : 8
- Inner box weight (Kg.) : 2
- Total box weight (Kg.) :

Recommended Usage

Install on wall for support



Siam Sanitary Ware Co.,Ltd. / Siam Sanitary Fittings Co.,Ltd.
 36/11 Viphavadee Rangsit Rd, Sanam Bin, Donmuang, Bangkok 10210. Thailand
 Tel : + 66 (0) 2973-5040-54
 Fax : + 66 (0) 2973-3470
 www.cotto.co.th
 Export Department
 Tel : + 66 (0) 2973-5040-54
 Fax : + 66 (0) 2973-3472



Center (Donmuang ,Bangkok) : +66 (0) 2521-7777
 East (Chonburi) : +66 (038) 416-222
 North (Chiangmai) : +66 (053) 211-852
 North East (Khonkean) : +66 (043) 220-555
 South (Phuket) : +66 (076) 261-388

The company reserves the right to change any of the details in the document without prior notice