

## SAFETY ACCESSORIES (35 mm.)

**CT7501L35(HM)** HANDRAIL 35 cm. / Ø 35 mm.  
**Barcode** 8852410750318  
**Material No.** Z235CT7501L35HMX18

### Selling Point

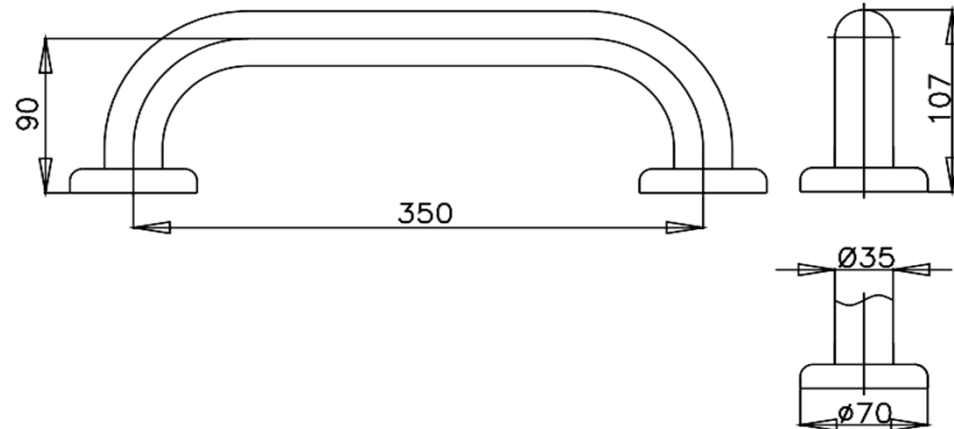
1. Made from SUS304 Stainless
2. Wall plug can handle up to 100 kgf.
3. Shiny surface

### Product characteristics

- pices/box	:	6
- Inner box weight (Kg.)	:	1
- Total box weight (Kg.)	:	6

### Recommended Usage

Install on wall for support



Siam Sanitary Ware Co.,Ltd. / Siam Sanitary Fittings Co.,Ltd.

36/11 Viphavadee Rangsit Rd, Sanam Bin, Donmuang, Bangkok 10210. Thailand

Tel : + 66 (0) 2973-5040-54

Fax : + 66 (0) 2973-3470

www.cotto.co.th

Export Department

Tel : + 66 (0) 2973-5040-54

Fax : + 66 (0) 2973-3472

The company reserves the right to change any of the details in the document without prior notice

COTTO  
STUDIO

Center	(Donmuang ,Bangkok)	: +66 (0) 2521-7777
East	(Chonburi)	: +66 (038) 416-222
North	(Chiangmai)	: +66 (053) 211-852
North East	(Khonkean)	: +66 (043) 220-555
South	(Phuket)	: +66 (076) 261-388