

RINSING SPRAY

CT666N#WH(HM) RINSING SPRAY SET / WHITE COLOR
Barcode 8852410666367
Material No. Z236CT666NWHMXXX16

Selling Point

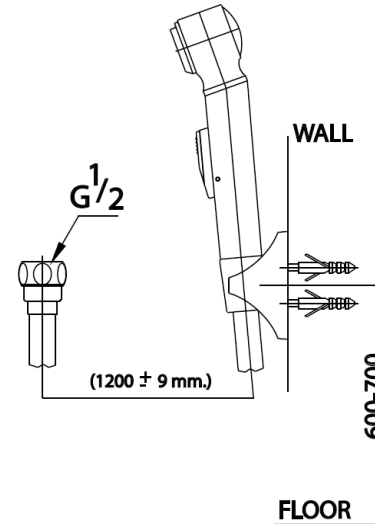
1. Shower Head made from strong ABS plastic

Product characteristics

- pices/box : 6
- Inner box weight (Kg.) : 0.4
- Total box weight (Kg.) : 2.6

Recommended Usage

Install Next To Sanitary Ware, With Small Valve



Siam Sanitary Ware Co.,Ltd. / Siam Sanitary Fittings Co.,Ltd.

36/11 Viphavadee Rangsit Rd, Sanam Bin, Donmuang, Bangkok 10210. Thailand

Tel : + 66 (0) 2973-5040-54

Fax : + 66 (0) 2973-3470

www.cotto.co.th

Export Department

Tel : + 66 (0) 2973-5040-54

Fax : + 66 (0) 2973-3472

The company reserves the right to change any of the details in the document without prior notice

Center

(Donmuang ,Bangkok) : +66 (0) 2521-7777

