

SONATA Series

CT329AXZ44 LEVER HANDLE EXPOSED BATH MIXER WITH FLOOR PILAR LEG AND HANDSHOWER

Barcode 8852410329262

Material No. Z231CT329AXZ44XX11

COTTO

Selling Point

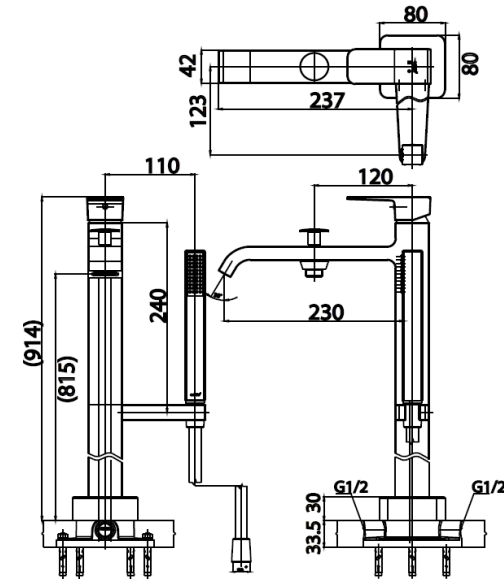
1. Extra Chrome : Plated with 8 Micron Nickel-Chromium
2. COTTO CLEAN : Metal Contaminant-Controlled (Lead, Cadmium, Copper, Zinc)
3. Made from high quality brass
4. The perfect combination of the senses of luxury and the symmetry of the boldlines, reflecting the elegant of Art Deco

Product characteristics

- pices/box : 1
- Inner box weight (Kg.) : 7.5
- Total box weight (Kg.) : 7.5

Recommended Usage

Install on floor, use with stand alone bathtub



Siam Sanitary Ware Co.,Ltd. / Siam Sanitary Fittings Co.,Ltd.

36/11 Viphavadee Rangsit Rd, Sanam Bin, Donmuang, Bangkok 10210. Thailand

Tel : + 66 (0) 2973-5040-54

Fax : + 66 (0) 2973-3470

www.cotto.co.th

Export Department

Tel : + 66 (0) 2973-5040-54

Fax : + 66 (0) 2973-3472

The company reserves the right to change any of the details in the document without prior notice

Center

(Donmuang ,Bangkok) : +66 (0) 2521-7777

