

## NEW CENTURY Series

**CT175C11(HM)** SHANK FAUCET / LONG SPAN  
**Barcode** 8852410175265  
**Material No.** Z231CT175C11HMXX11

### Selling Point

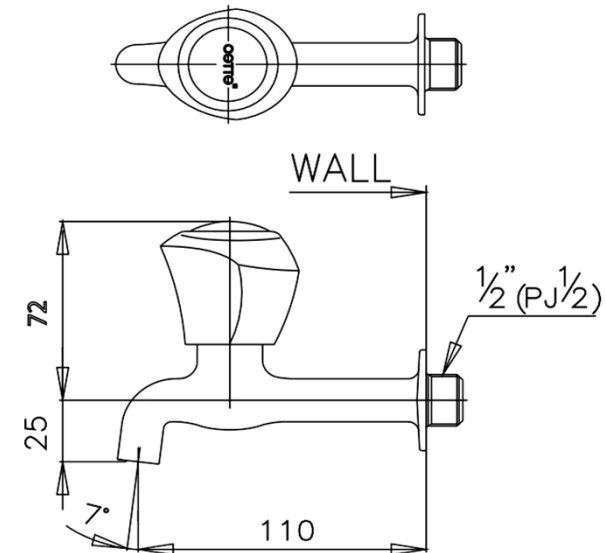
1. Extra Chrome : Plated with 8 Micron Nickel-Chromium
2. Flow Rate = 5.53 LPM at pressure 1 Bar

### Product characteristics

- pices/box : 12
- Inner box weight (Kg.) : 1
- Total box weight (Kg.) : 8

### How to use

Install on wall, use as floor cleansing faucet or bucket filling faucet



Siam Sanitary Ware Co.,Ltd. / Siam Sanitary Fittings Co.,Ltd.

36/11 Viphavadee Rangsit Rd, Sanam Bin, Donmuang, Bangkok 10210. Thailand

Tel : + 66 (0) 2973-5040-54

Fax : + 66 (0) 2973-3470

www.cotto.co.th

Export Department

Tel : + 66 (0) 2973-5040-54

Fax : + 66 (0) 2973-3472

The company reserves the right to change any of the details in the document without prior notice

**COTTO  
STUDIO**

Center	(Donmuang ,Bangkok)	: +66 (0) 2521-7777
East	(Chonburi)	: +66 (038) 416-222
North	(Chiangmai)	: +66 (053) 211-852
North East	(Khonkean)	: +66 (043) 220-555
South	(Phuket)	: +66 (076) 261-388