

## MARINA Series

**CT174C15(HM)** SHANK FAUCET / LONG SPAN

**Barcode** 8852410174268

**Material No.** Z231CT174C15HMXX11

### Selling Point

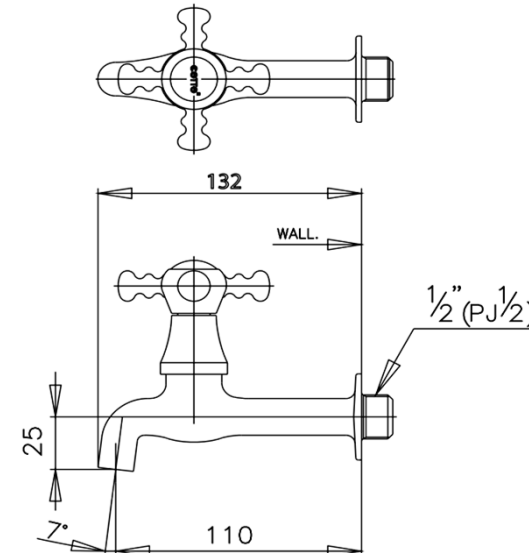
1. Extra Chrome : Plated with 8 Micron Nickel-Chromium

### Product characteristics

- pices/box : 15
- Inner box weight (Kg.) : 0
- Total box weight (Kg.) : 7

### How to use

Install on wall, use as floor cleansing faucet or bucket filling faucet



Siam Sanitary Ware Co.,Ltd. / Siam Sanitary Fittings Co.,Ltd.

36/11 Viphavadee Rangsit Rd, Sanam Bin, Donmuang, Bangkok 10210. Thailand

Tel : + 66 (0) 2973-5040-54

Fax : + 66 (0) 2973-3470

www.cotto.co.th

Export Department

Tel : + 66 (0) 2973-5040-54

Fax : + 66 (0) 2973-3472

**The company reserves the right to change any of the details in the document without prior notice**

**COTTO  
STUDIO**

**Center (Donmuang ,Bangkok) : +66 (0) 2521-7777**

**East (Chonburi) : +66 (038) 416-222**

**North (Chiangmai) : +66 (053) 211-852**

**North East (Khonkean) : +66 (043) 220-555**

**South (Phuket) : +66 (076) 261-388**