

GEO Series

CT1261A2(HM) LEVER HANDLE STOP VALVE FOR SHOWER

Barcode 8852410126335

Material No. Z231CT1261A2HMXX11

Selling Point

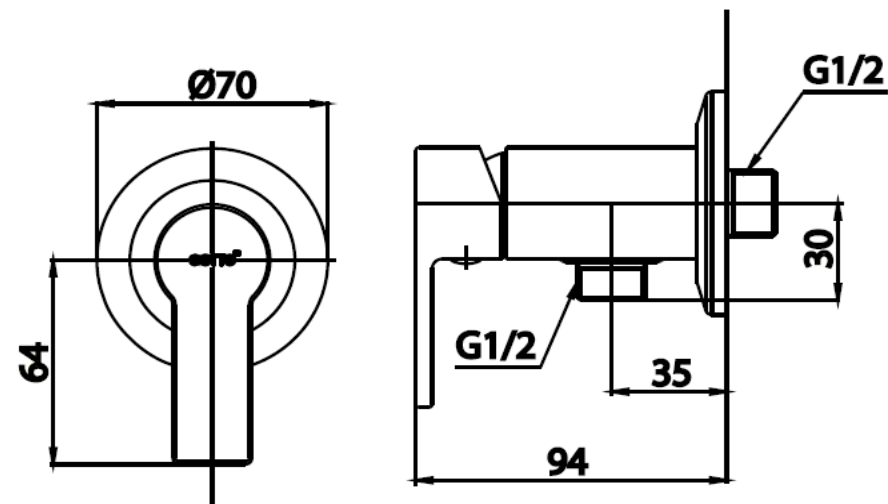
1. COTTO CLEAN : Metal Contaminant-Controlled (Lead, Cadmium, Copper, Zinc)
2. Solid Brass : Premium brass constructed with world-class brass manufacturer, to create bathroom masterpiece experience.

Product characteristics

- pices/box : 8
- Inner box weight (Kg.) : 0.6
- Total box weight (Kg.) : 4.7

Recommended Usage

Valve For Fixed Shower



Siam Sanitary Ware Co.,Ltd. / Siam Sanitary Fittings Co.,Ltd.

36/11 Viphavadee Rangsit Rd, Sanam Bin, Donmuang, Bangkok 10210. Thailand

Tel : + 66 (0) 2973-5040-54

Fax : + 66 (0) 2973-3470

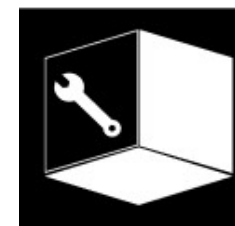
www.cotto.com

COTTO Studio

Tel : + 66 (0) 2973-5040-54

Center (Donmuang ,Bangkok) : +66 (0) 2521-7777

The company reserves the right to change any of the details in the document without prior notice



COTTO
Fixing
Service

Line : @fixingservice