

CANDLE Series

CT1206C38(HM) BASIN FAUCET
Barcode 8852410120630
Material Number Z231CT1206C38HMX11

Selling Point

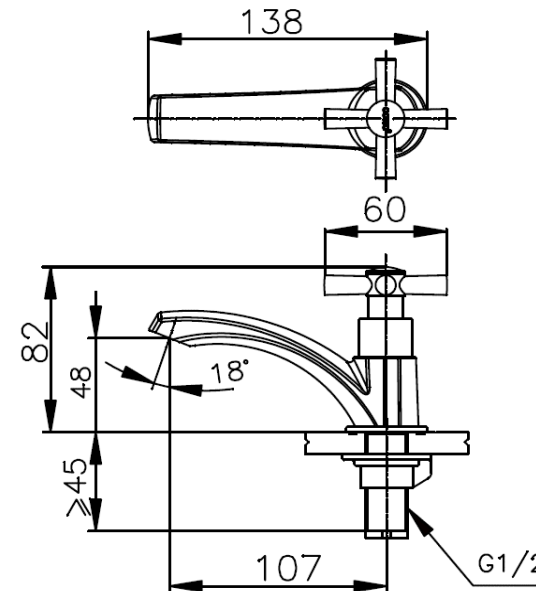
1. COTTO CLEAN : Metal Contaminant-Controlled (Lead, Cadmium, Copper, Zinc)
2. Extra Chrome : Coated with 8 Micron Nickel-Chromium
3. Made from high qualities solid brass

Product characteristics

- pices/box : 12
- Inner box weight (Kg.) : 0.6
- Total box weight (Kg.) : 9.4

Recommended Usage

Install On 1 Hole Basin Or Counter For Under Counter Basin



Siam Sanitary Ware Co.,Ltd. / Siam Sanitary Fittings Co.,Ltd.

36/11 Viphavadee Rangsit Rd, Sanam Bin, Donmuang, Bangkok 10210. Thailand

Tel : + 66 (0) 2973-5040-54

Fax : + 66 (0) 2973-3470

www.cotto.co.th

Export Department

Tel : + 66 (0) 2973-5040-54

Fax : + 66 (0) 2973-3472

Center (Donmuang ,Bangkok) : +66 (0) 2521-7777



The company reserves the right to change any of the details in the document without prior notice