

ARONA V.II Series

CT1163A(HM) SINGLE LEVER BASIN FAUCET
Barcode 8852410116305
Material No. Z231CT1163AHMXXX11

COTTO

Selling Point

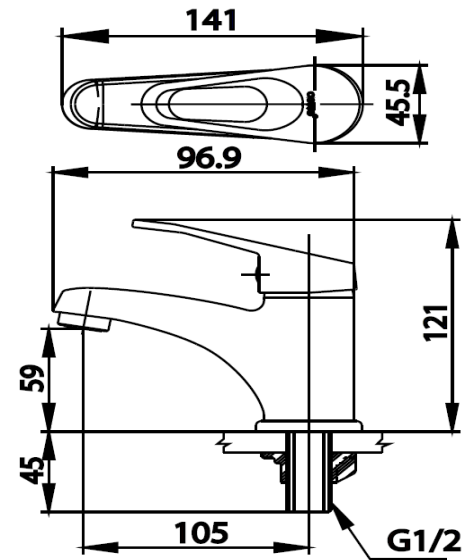
- 1.COTTO CLEAN : Metal Contaminant-Controled (Lead, Cadmium, Copper, Zinc)
- 2.Extra Chrome : Coated with 8 Micron Nickel-Chromium

Product Features

- piece/box : 12
- Include inner box weight (Kg) : 1
- Include outter box weight (Kg) : 10

Recommended Usage

Install on 1 hole basin or on counter for undercounter basin



Siam Sanitary Ware Co.,Ltd. / Siam Sanitary Fittings Co.,Ltd.

36/11 Viphavadee Rangsit Rd, Sanam Bin, Donmuang, Bangkok 10210. Thailand

Tel : + 66 (0) 2973-5040-54

Fax : + 66 (0) 2973-3470

www.cotto.co.th

Export Department

Tel : + 66 (0) 2973-5040-54

Fax : + 66 (0) 2973-3472

COTTO
STUDIO

Center	(Donmuang ,Bangkok)	: +66 (0) 2521-7777
East	(Chonburi)	: +66 (038) 416-222
North	(Chiangmai)	: +66 (053) 211-852
North East	(Khonkean)	: +66 (043) 220-555
South	(Phuket)	: +66 (076) 261-388

The company reserves the right to change any of the details in the document without prior notice