

## ALTO Series

**CT1116A** LEVER HANDLE CONCEALED STOP VALVE  
**Barcode** 8852410116275  
**Material No.** Z231CT1116AXXXX11

### Selling Point

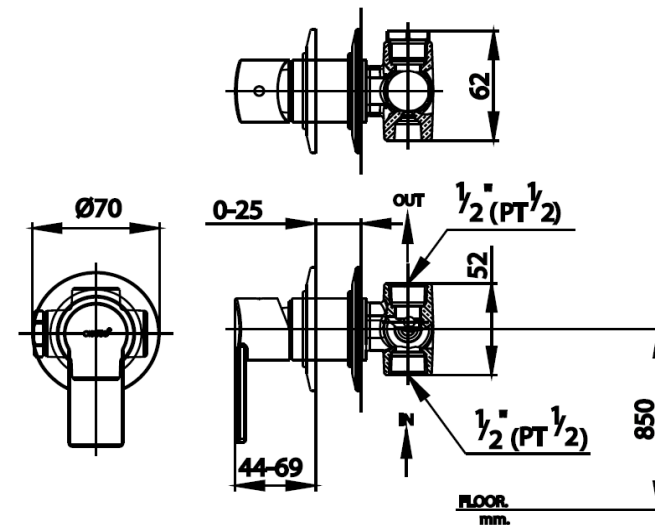
1. Extra Chrome : Plated with 8 Micron Nickel-Chromium
2. Made from high quality brass

### Product characteristics

- pices/box : 6
- Inner box weight (Kg.) : 1
- Total box weight (Kg.) : 6

### Recommended Usage

Valve for Fixed Shower



Siam Sanitary Ware Co.,Ltd. / Siam Sanitary Fittings Co.,Ltd.

36/11 Viphavadee Rangsit Rd, Sanam Bin, Donmuang, Bangkok 10210. Thailand

Tel : + 66 (0) 2973-5040-54

Fax : + 66 (0) 2973-3470

www.cotto.co.th

Export Department

Tel : + 66 (0) 2973-5040-54

Fax : + 66 (0) 2973-3472

COTTO  
STUDIO

Center (Donmuang ,Bangkok) : +66 (0) 2521-7777

East (Chonburi) : +66 (038) 416-222

North (Chiangmai) : +66 (053) 211-852

North East (Khonkean) : +66 (043) 220-555

South (Phuket) : +66 (076) 261-388

The company reserves the right to change any of the details in the document without prior notice