

PRESSALIT

CT0186#WH FOLDABLE SUPPORT ARM
Barcode 8852410018302
Material No. Z235CT0186WHXXX16

Selling Point

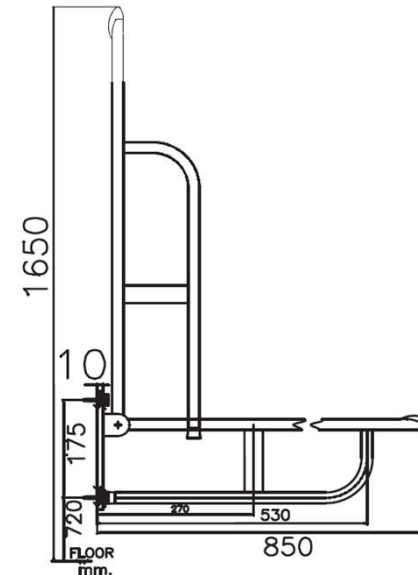
1. Made from High Quality Material, Imported from Denmark
2. Material : Nylon and Steel
3. Can fold up when not in use to maximise floor space
4. Products sustain the dead load of 120kg.

Product characteristics

- pices/box : 1
- Inner box weight (Kg.) : 1
- Total box weight (Kg.) : 2

Recommended Usage

Install on wall next to sanitary ware ,foldable shower seat or adjustable foldable seat for support



Siam Sanitary Ware Co.,Ltd. / Siam Sanitary Fittings Co.,Ltd.

36/11 Viphavadee Rangsit Rd, Sanam Bin, Donmuang, Bangkok 10210. Thailand

Tel : + 66 (0) 2973-5040-54

Fax : + 66 (0) 2973-3470

www.cotto.co.th

Export Department

Tel : + 66 (0) 2973-5040-54

Fax : + 66 (0) 2973-3472

**COTTO
STUDIO**

Center (Donmuang ,Bangkok) : +66 (0) 2521-7777

East (Chonburi) : +66 (038) 416-222

North (Chiangmai) : +66 (053) 211-852

North East (Khonkean) : +66 (043) 220-555

South (Phuket) : +66 (076) 261-388

The company reserves the right to change any of the details in the document without prior notice