

STAY Series

CT0179#WH FOLDABLE SHOWER SEAT WITH LEGS
Barcode 8852410017336
Material No. Z235CT0179WHXXXX16

Selling Point

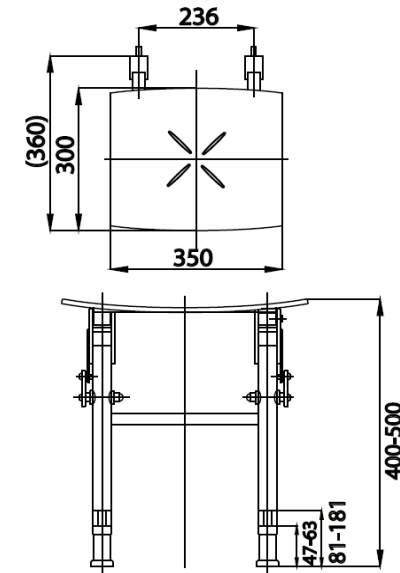
1. Material : PP and SUS304 Durable and rust-free
2. Adjustable seat height up to 100mm
3. Load tested at 200 Kg

Product characteristics

- pices/box : 2
- Inner box weight (Kg.) : 4.2
- Total box weight (Kg.) : 8.9

Recommended Usage

install on wall in shower area. Recommended to install on brick wall.



Siam Sanitary Ware Co.,Ltd. / Siam Sanitary Fittings Co.,Ltd.

36/11 Viphavadee Rangsit Rd, Sanam Bin, Donmuang, Bangkok 10210. Thailand

Tel : + 66 (0) 2973-5040-54

Fax : + 66 (0) 2973-3470

www.cotto.co.th

Export Department

Tel : + 66 (0) 2973-5040-54

Fax : + 66 (0) 2973-3472

Center

(Donmuang ,Bangkok) : +66 (0) 2521-7777



The company reserves the right to change any of the details in the document without prior notice