

NATURA SERIES

CT0166 L-SHAPE HANDRAIL WITH SLIDE BAR FOR SHOWER
Barcode 8852410016629
Material No. Z235CT0166XXXXX11

Selling Point

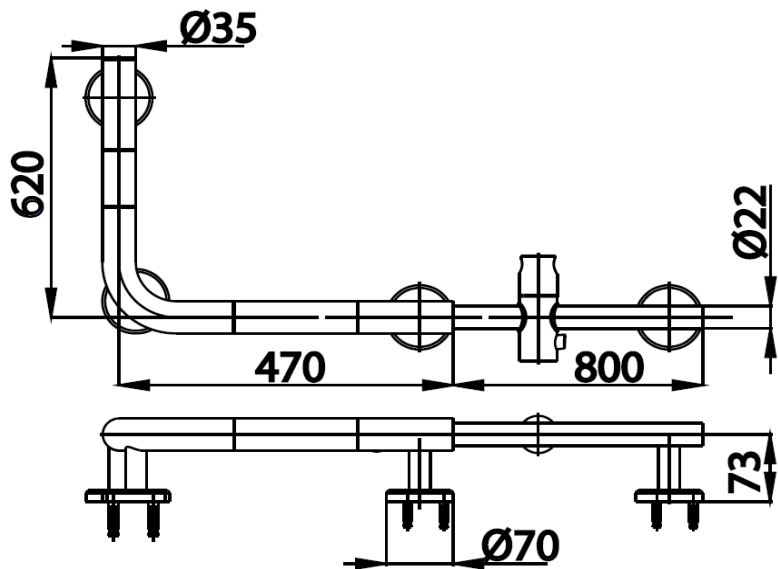
1. Made from wooden material, for comfortable touch
2. Long lasting material: wooden material last over 50 years
3. Passed COTTO special manufacturing process: free from insect and mold.
4. Able to handle over 120 kg
5. Mounted-leg made from SUS304 stainless
6. Adjustable height and angle for shower hanger

Product characteristics

- pices/box : 6
- Inner box weight (Kg.) : -
- Total box weight (Kg.) : -

Recommended Usage

Use to hang hand shower and support body weight



Siam Sanitary Ware Co.,Ltd. / Siam Sanitary Fittings Co.,Ltd.

36/11 Viphavadee Rangsit Rd, Sanam Bin, Donmuang, Bangkok 10210. Thailand

Tel : + 66 (0) 2973-5040-54

Fax : + 66 (0) 2973-3470

www.cotto.co.th

Export Department

Tel : + 66 (0) 2973-5040-54

Fax : + 66 (0) 2973-3472

The company reserves the right to change any of the details in the document without prior notice

COTTO
STUDIO

Center	(Donmuang ,Bangkok)	: +66 (0) 2521-7777
East	(Chonburi)	: +66 (038) 416-222
North	(Chiangmai)	: +66 (053) 211-852
North East	(Khonkean)	: +66 (043) 220-555
South	(Phuket)	: +66 (076) 261-388