

NATURA CARE

CT0163 V-SHAPE HANDRAIL /Ø 35 MM./435X435 MM.
Barcode 8852410014786
Material No. Z235CT0163XXXXXX18

Selling Point

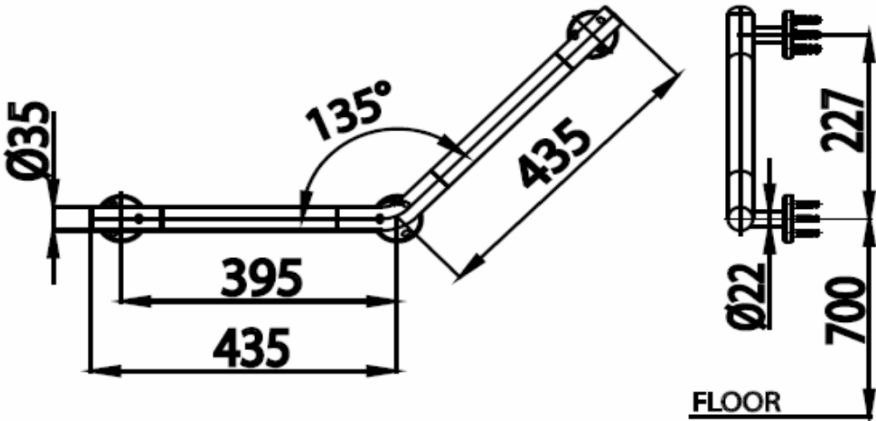
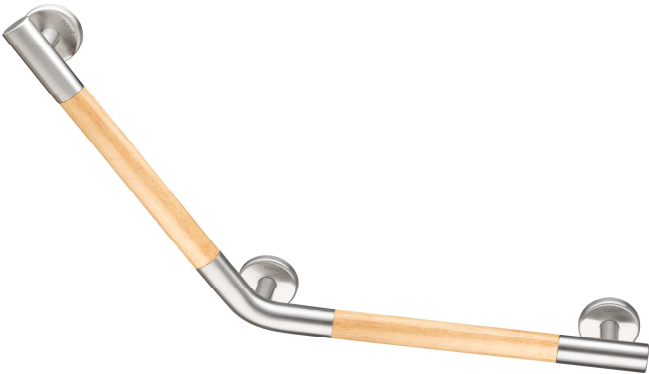
- 1. 100% Pine, soft touch, natural feel
- 2. wood life span last over 50 years (dry use)
- 3. With Special manufactured process; Insect and Mold free
- 4. Tested that able to handle up to 120 kg.
- 5. Wall bucket made from SUS304 Stainless

Product characteristics

- pices/box : 1
- Inner box weight (Kg.) : 1
- Total box weight (Kg.) :

Recommended Usage

Install on wall as supporter



<p>Siam Sanitary Ware Co.,Ltd. / Siam Sanitary Fittings Co.,Ltd. 36/11 Viphavadee Rangsit Rd, Sanam Bin, Donmuang, Bangkok 10210. Thailand Tel : + 66 (0) 2973-5040-54 Fax : + 66 (0) 2973-3470 www.cotto.co.th Export Department Tel : + 66 (0) 2973-5040-54 Fax : + 66 (0) 2973-3472</p>		<p>COTTO STUDIO</p>	
Center	(Donmuang ,Bangkok)	:	+66 (0) 2521-7777
East	(Chonburi)	:	+66 (038) 416-222
North	(Chiangmai)	:	+66 (053) 211-852
North East	(Khonkean)	:	+66 (043) 220-555
South	(Phuket)	:	+66 (076) 261-388

The company reserves the right to change any of the details in the document without prior notice