

SQUARE ACCESSORIES

CT0142 PAPER HOLDER
Barcode 8852410014793
Material No. Z235CT0142XXXXXX18

Selling Point

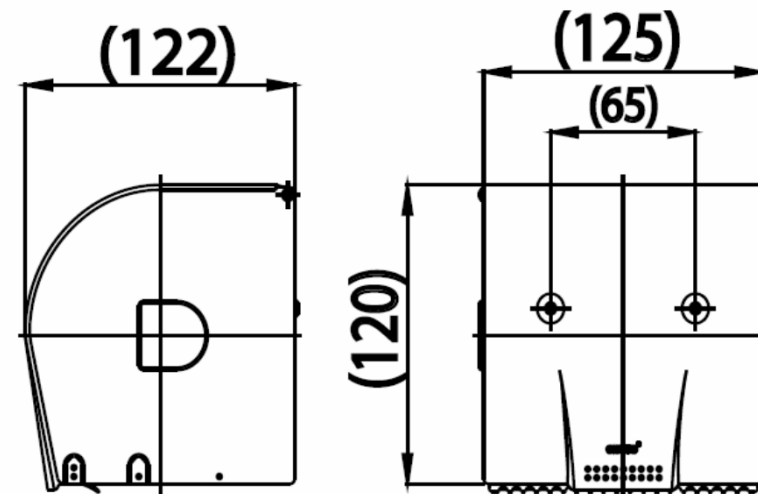
1. SOLID BRASS : Bathroom Accessories Made from high quality brass
2. Plated with nickel-chromium, for long last shine
3. Modern, Smooth, Luxurious design

Product characteristics

- pices/box : 8
- Inner box weight (Kg.) : 1
- Total box weight (Kg.) : 5

Recommended Usage

Install on wall by Sanitary Ware as Tissue holder



Siam Sanitary Ware Co.,Ltd. / Siam Sanitary Fittings Co.,Ltd.

36/11 Viphavadee Rangsit Rd, Sanam Bin, Donmuang, Bangkok 10210. Thailand

Tel : + 66 (0) 2973-5040-54

Fax : + 66 (0) 2973-3470

www.cotto.co.th

Export Department

Tel : + 66 (0) 2973-5040-54

Fax : + 66 (0) 2973-3472

The company reserves the right to change any of the details in the document without prior notice

COTTO
STUDIO

Center	(Donmuang ,Bangkok)	: +66 (0) 2521-7777
East	(Chonburi)	: +66 (038) 416-222
North	(Chiangmai)	: +66 (053) 211-852
North East	(Khonkean)	: +66 (043) 220-555
South	(Phuket)	: +66 (076) 261-388