

TWIST ACCESSORIES

CT0066#GR(HM) SOAP HOLDER (GOLD)

Barcode 8852410066327

Material No. Z235CT0066GRHMXX19

Selling Point

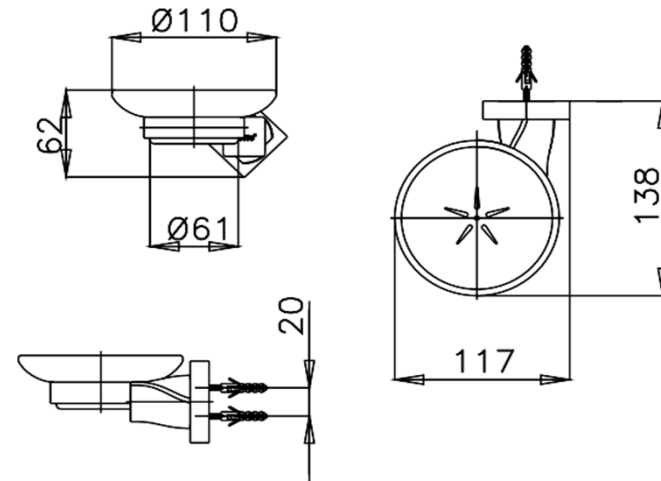
1. SOLID BRASS : Bathroom Accessories, made from high quality brass
2. Extra Chrome : plated with 8 micron nickel-chromium

Product Features

- piece/box : 6
- Include inner box weight (Kg) : 1
- Include outter box weight (Kg) : 5

Recommended Usage

Install on wall, close to shower area or wash basin, to hold soap



Siam Sanitary Ware Co.,Ltd. / Siam Sanitary Fittings Co.,Ltd.

36/11 Viphavadee Rangsit Rd, Sanam Bin, Donmuang, Bangkok 10210. Thailand

Tel : + 66 (0) 2973-5040-54

Fax : + 66 (0) 2973-3470

www.cotto.co.th

Export Department

Tel : + 66 (0) 2973-5040-54

Fax : + 66 (0) 2973-3472

The company reserves the right to change any of the details in the document without prior notice

COTTO
STUDIO

Center (Donmuang ,Bangkok) : +66 (0) 2521-7777

East (Chonburi) : +66 (038) 416-222

North (Chiangmai) : +66 (053) 211-852

North East (Khonkean) : +66 (043) 220-555

South (Phuket) : +66 (076) 261-388