

TWIST ACCESSORIES

CT0066#WH(HM) SOAP HOLDER (WHITE)
Barcode 8852410066303
Material No. Z235CT0066WVHMXX16

Selling Point

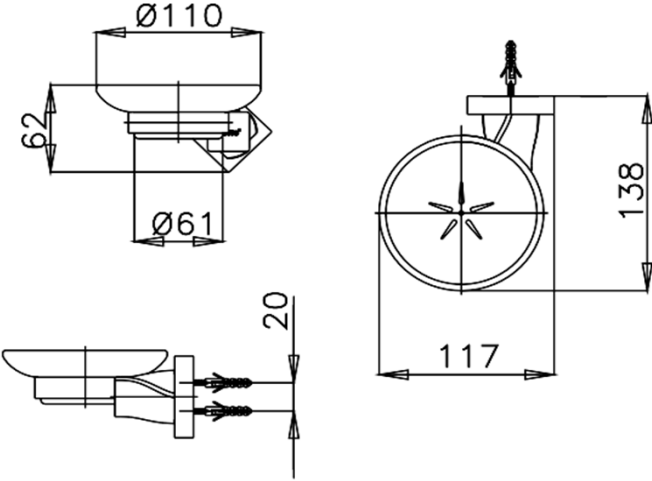
1. SOLID BRASS : Bathroom Accessories, made from high quality brass
2. Extra Chrome : plated with 8 micron nickel-chromium

Product Features

- piece/box : 6
- Include inner box weight (Kg) : 1
- Include outter box weight (Kg) : 5

Recommended Usage

Install on wall, close to shower area or wash basin, to hold soap



Siam Sanitary Ware Co.,Ltd. / Siam Sanitary Fittings Co.,Ltd.
 36/11 Viphavadee Rangsit Rd, Sanam Bin, Donmuang, Bangkok 10210. Thailand
 Tel : + 66 (0) 2973-5040-54
 Fax : + 66 (0) 2973-3470
www.cotto.co.th
 Export Department
 Tel : + 66 (0) 2973-5040-54
 Fax : + 66 (0) 2973-3472



Center	(Donmuang ,Bangkok)	: +66 (0) 2521-7777
East	(Chonburi)	: +66 (038) 416-222
North	(Chiangmai)	: +66 (053) 211-852
North East	(Khonkean)	: +66 (043) 220-555
South	(Phuket)	: +66 (076) 261-388

The company reserves the right to change any of the details in the document without prior notice