

TWIST ACCESSORIES

CT0065#WH(HM) TISSUE HOLDER (WHITE)
Barcode 8852410065306
Material No. Z235CT0065WHHMXX16

Selling Point

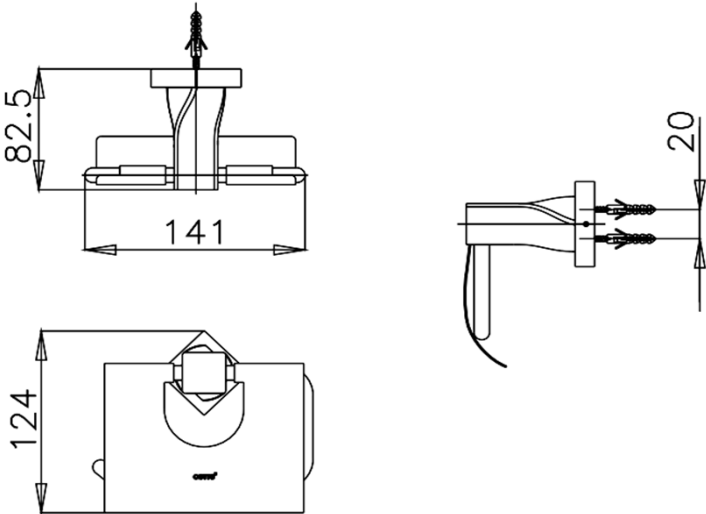
- 1. SOLID BRASS : Bathroom Accessories Made from High Quality Brass
- 2. Extra Chrome : Plated with 8 Micron Nickel-Chromium

Product characteristics

- pices/box : 8
- Inner box weight (Kg.) : 1
- Total box weight (Kg.) : 8

Recommended Usage

Install on wall near sanitary ware as tissue holder



Siam Sanitary Ware Co.,Ltd. / Siam Sanitary Fittings Co.,Ltd.
 36/11 Viphavadee Rangsit Rd, Sanam Bin, Donmuang, Bangkok 10210. Thailand
 Tel : + 66 (0) 2973-5040-54
 Fax : + 66 (0) 2973-3470
www.cotto.co.th
 Export Department
 Tel : + 66 (0) 2973-5040-54
 Fax : + 66 (0) 2973-3472



Center	(Donmuang ,Bangkok)	: +66 (0) 2521-7777
East	(Chonburi)	: +66 (038) 416-222
North	(Chiangmai)	: +66 (053) 211-852
North East	(Khonkean)	: +66 (043) 220-555
South	(Phuket)	: +66 (076) 261-388

The company reserves the right to change any of the details in the document without prior notice