



CPF200A#BN2

LEVER HANDLE BASIN MIXER FAUCET



Unique Selling Points (USPs)

- Brass material reflects the highest quality of product
- 2 exclusive colours for Premium Collection (Twilight gold, Estelle black)
- Long-lasting surface (PVD coating)
- Developed aerator for a better and smoother water flow

Product description

Material : SOLID BRASS

Provided items

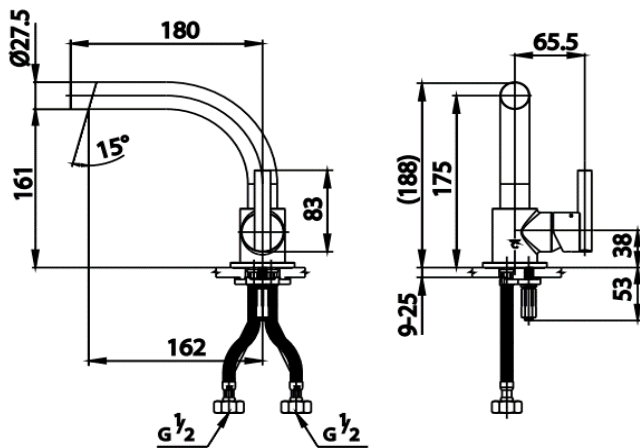
- Faucet
- Inlet hose
- Installation manual

Warranty

- Product warranty 1 year
- Ceramic valve warranty 30 years (excluding all rubber parts)

Recommended Usage

Shall be installed on 1-hole wash basin or on counter for countertop k



Variety of colours

- GR2 Twilight gold
- BN2 Estelle black

Recommended products

- CPW0500 QUIL 75A (R) Above Counter Basin 1TH
- CPW0501 QUIL 75A (L) Above Counter Basin 1TH
- CPW0502 QUIL 120A Above Counter Basin 1TH
- CPV001 Quil F/S Cabinet + Origines Blanc
- CPV002 Quil Hanging Cabinet + Erebus
- CPV003 Quil Hanging Cabinet + Midday zen